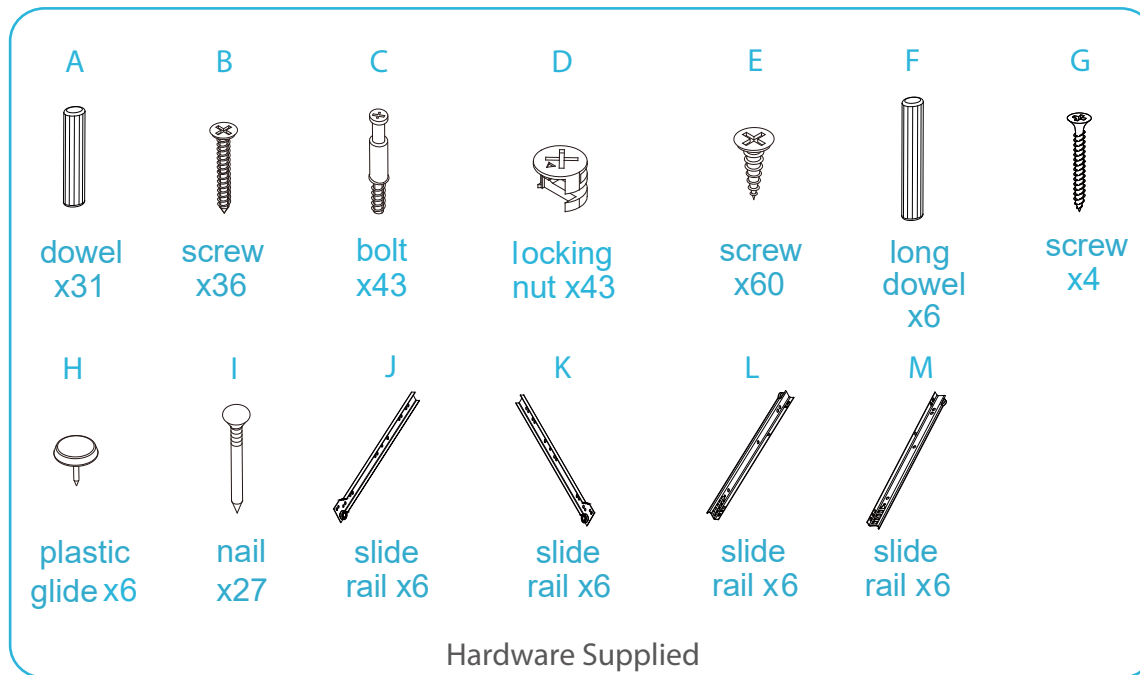


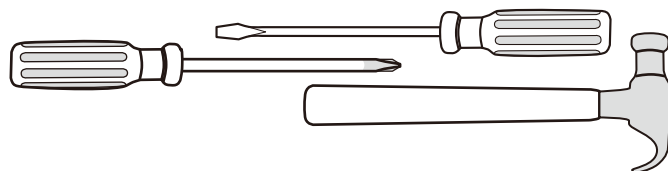
Jolt Six Drawer-Wide

Assembly Instructions

Thank you for your purchase. Please follow the instructions for correct assembly. While we took great effort to ensure these assembly instructions were correct at the time of printing, sometimes updates are required post production. For the most up to date versions please refer to the product page on our website. mocka.com.au/mocka.co.nz

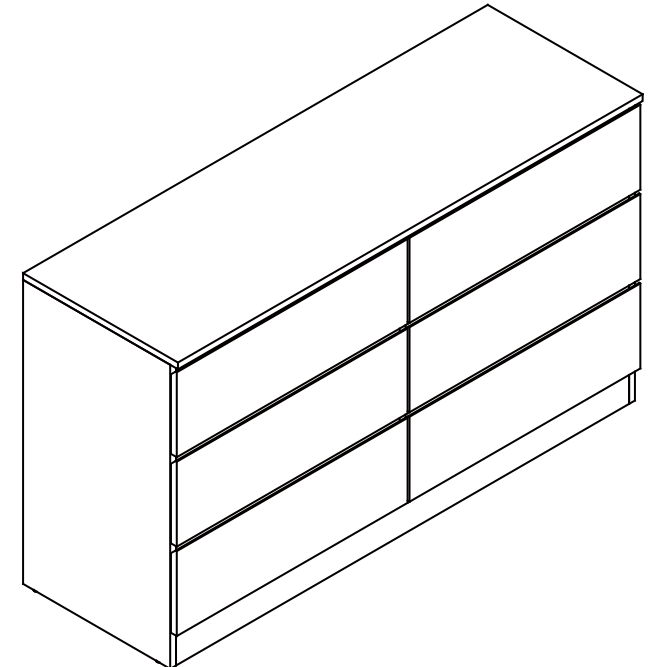
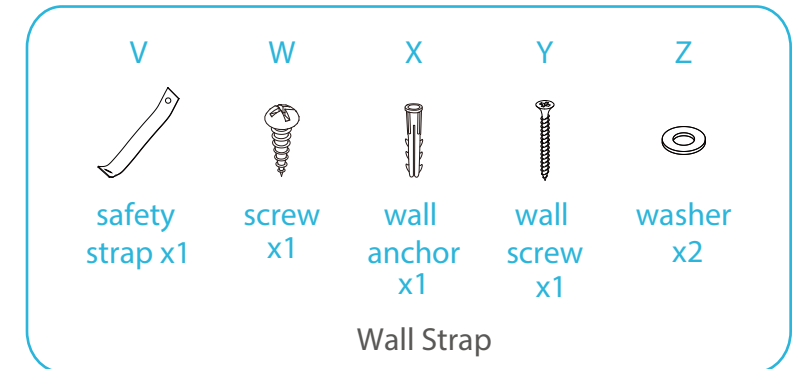


WARNING: Any furniture that is not anchored to a wall has the potential to tip over in certain circumstances, i.e. if a child attempts to climb up on the furniture or in the event of an earthquake. Accordingly, we recommend that all furniture is anchored to a wall. We supply a free safety wall anchor with all furniture sold and we recommend these are used to prevent your product tipping. The fixing device provided should fit most wall types, but please note that different wall materials may require different fixing devices from those supplied.



Phillips & Flathead screwdrivers and hammer required
For quicker assembly, we recommend the use of a power drill on a low-speed setting.

mocka

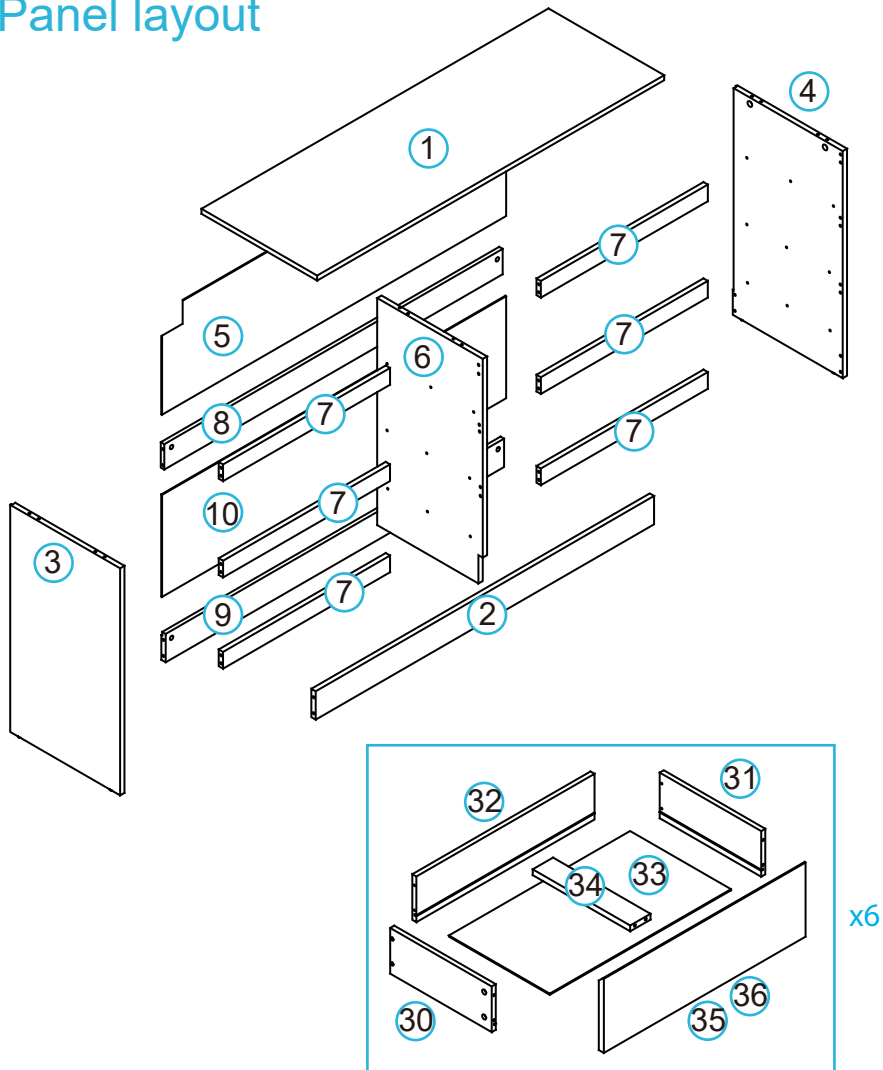


Jolt Six Drawer-Wide

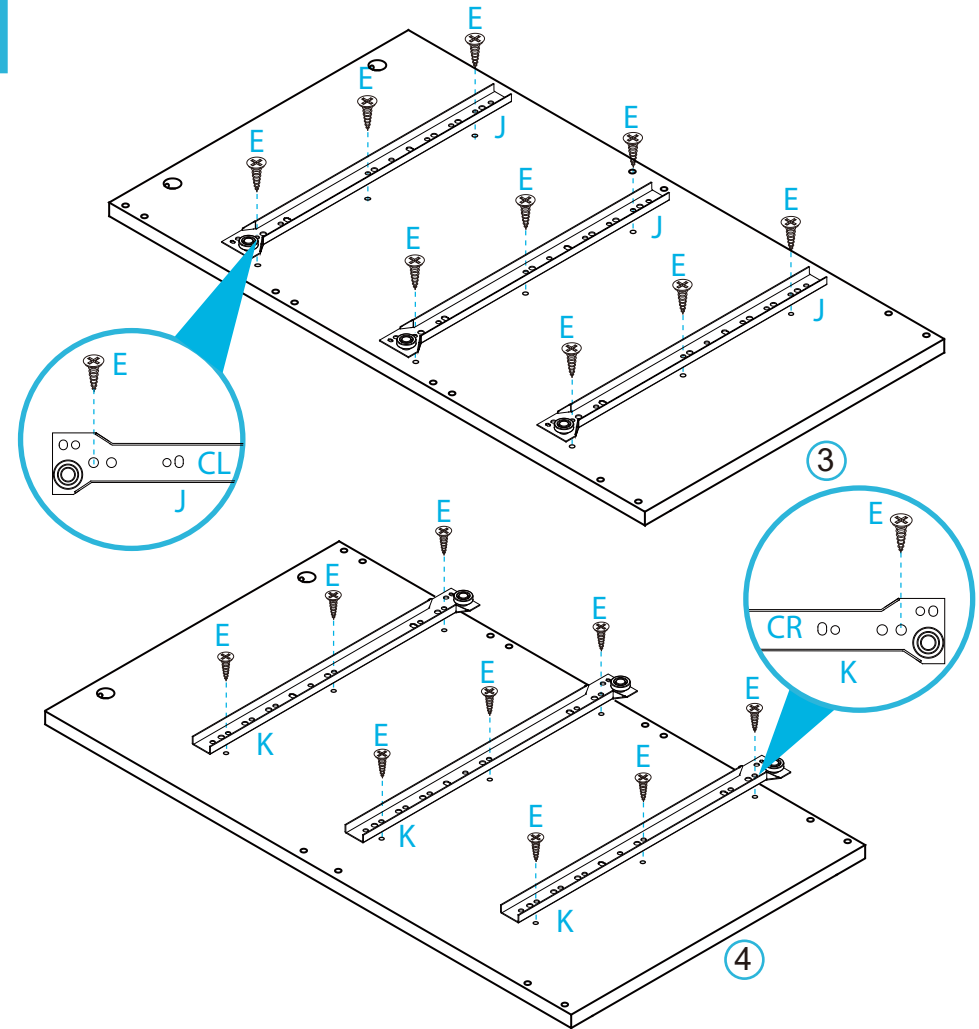
Assembly Instructions

mocka

Panel layout



1



Attach 3x side rails (J) to panel [3] and secure with 9x screws (E). Tighten with a screwdriver. Attach 3x side rails (K) to panel [4] and secure with 9x screws (E). Tighten with a screwdriver.

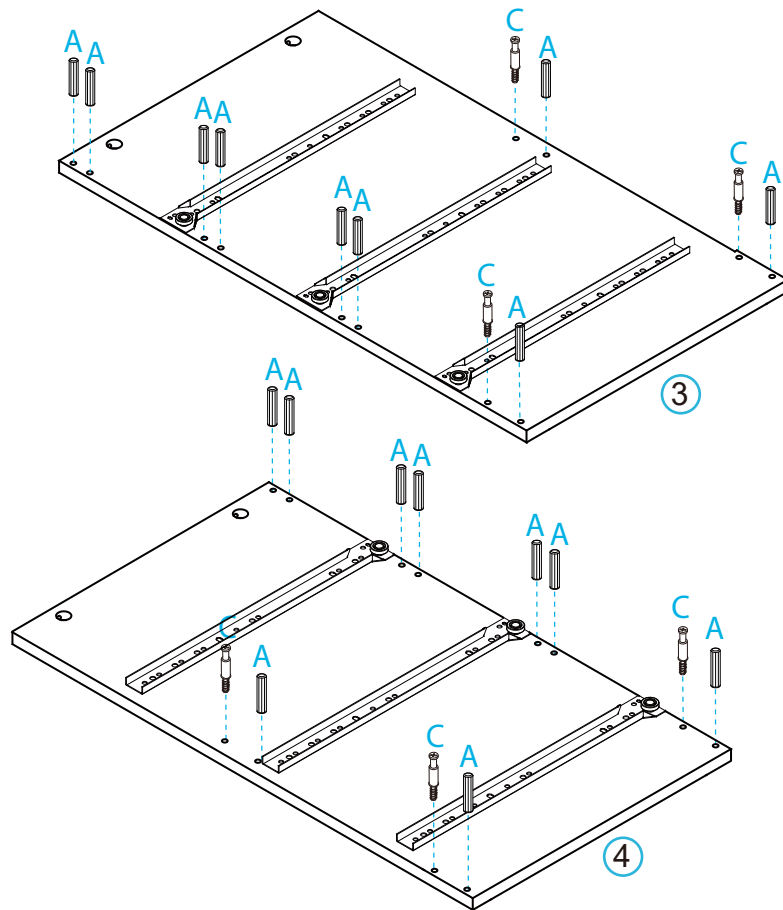
2

Jolt Six Drawer-Wide

Assembly Instructions

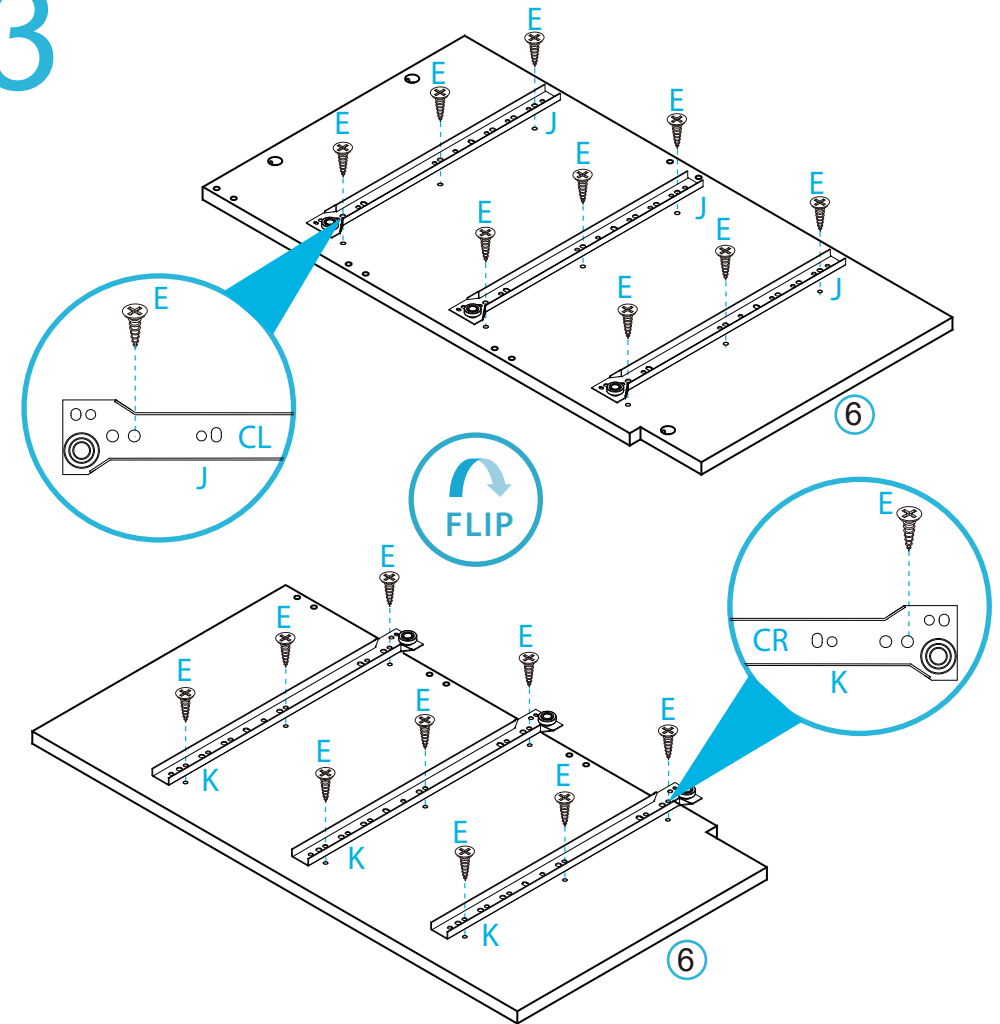
mocka

2



Insert 18 x dowels (A) into panels [3] and [4]. Attach 6 x bolts (C) into Panels [3] and [4] as shown. Tighten with a screwdriver.

3



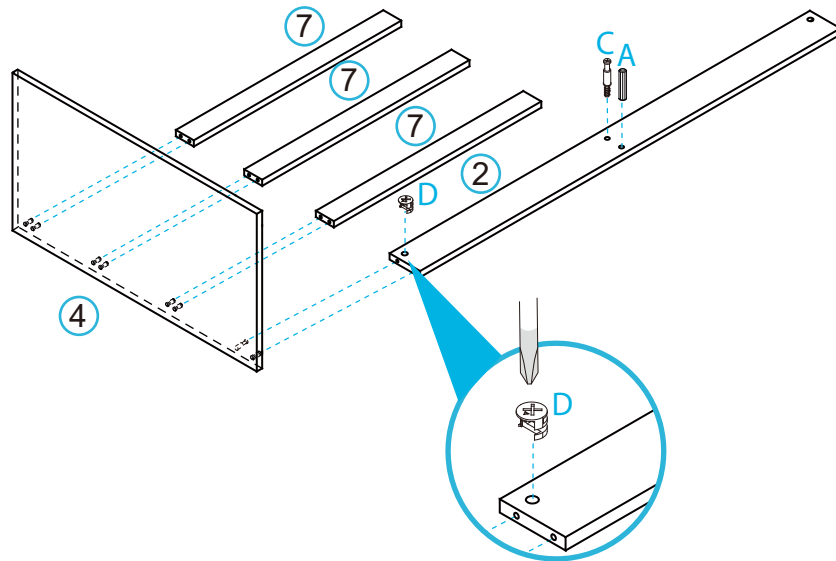
Attach 3x slide rails (J) and 3x slide rails (K) to panel [6] as shown. secure with 18x screws (E). Tighten with a screwdriver.

Jolt Six Drawer-Wide

Assembly Instructions

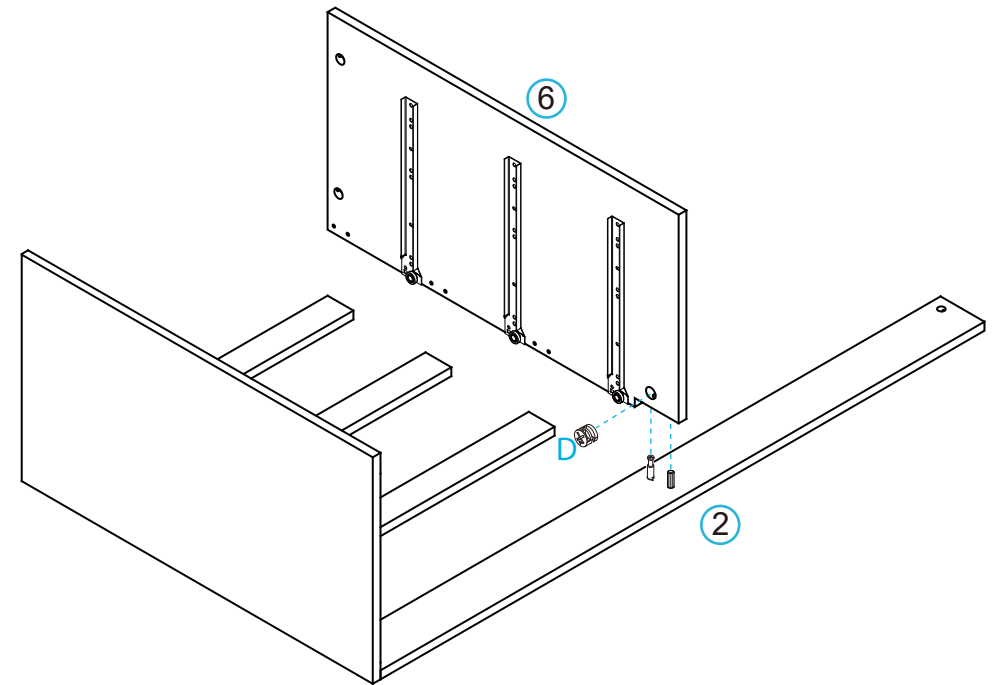
mocka

4



Insert 1x dowel (A) and 1x bolt (C) into panel [2] as shown. Attach panels [7] and [2] to panel [4]. secure with 1x locking nuts (D) Tighten with a screwdriver.

5



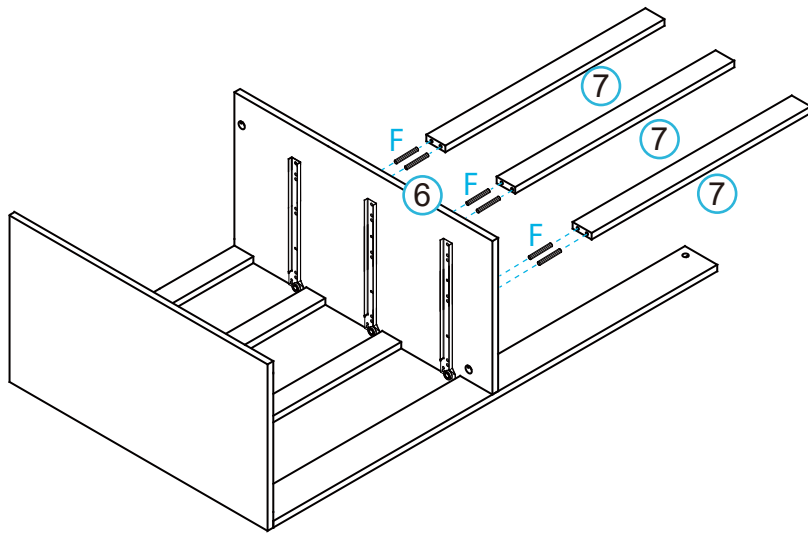
Attach panel [6] to panel [2] secure with 1x locking nut (D). Tighten with a screwdriver.

Jolt Six Drawer-Wide

Assembly Instructions

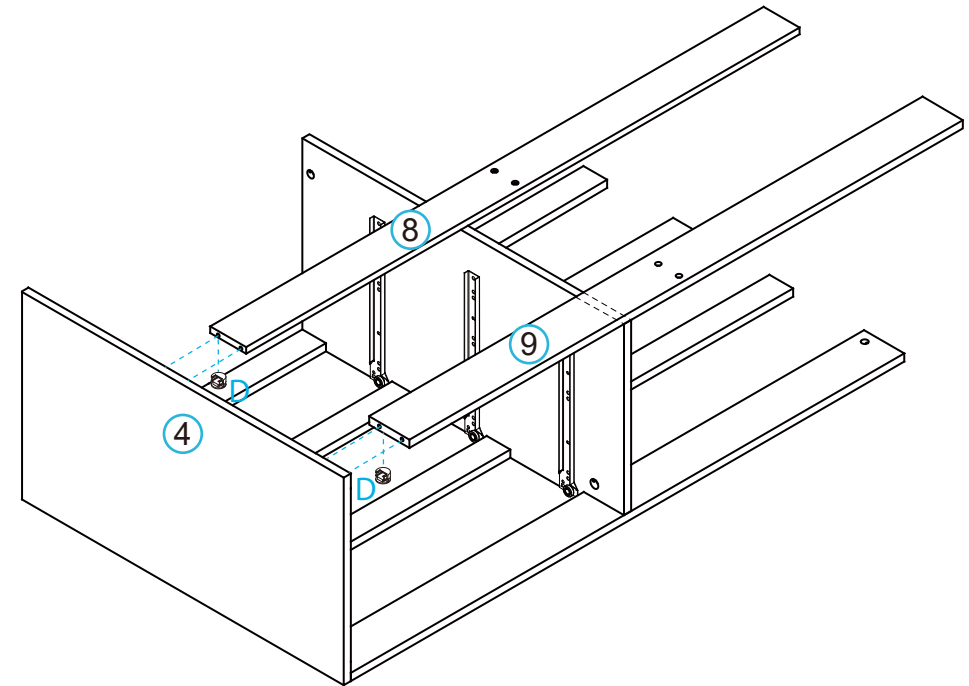
mocka

6



Attach panel [7] to panel [6] with 6x long dowels (F).

7



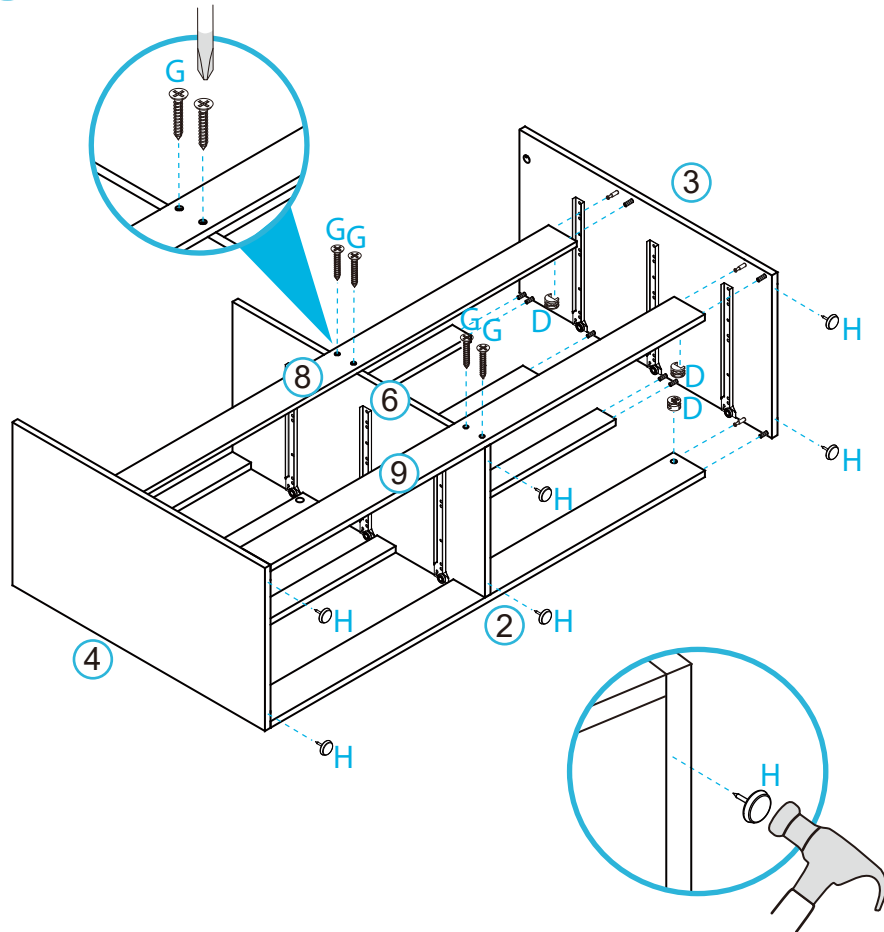
Attach panels [8] and [9] to panel [4] secure with 2x locking nuts (D). Tighten with a screwdriver.

Jolt Six Drawer-Wide

Assembly Instructions

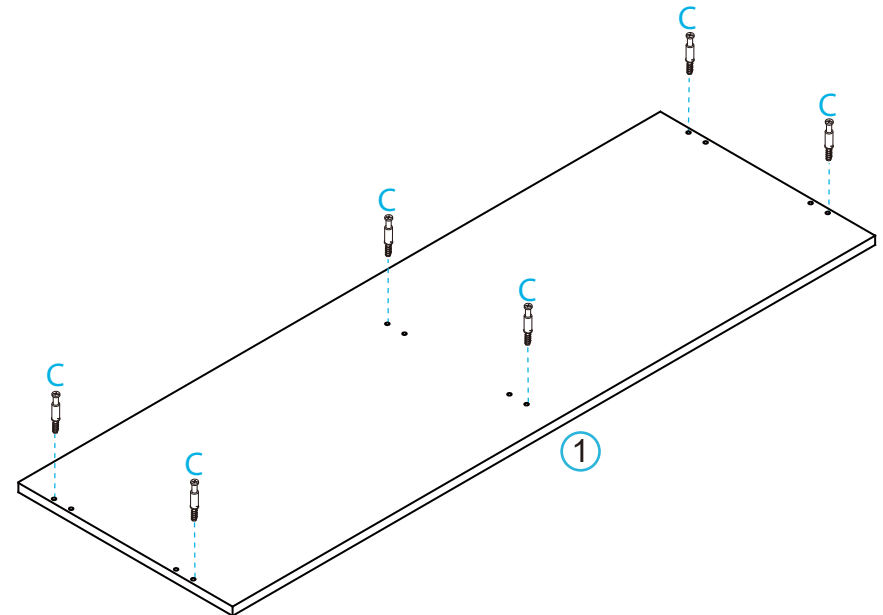
mocka

8



Attach panel [3] to panels [8] and [9] secure with 2x locking nuts (D). Tighten with a screwdriver. Attach panels [8] and [9] to panel [6] secure with 4x screws (G). Tighten with a screwdriver. Attach 6x plastic glides (H) to the panels [3], [4] and [6] using a hammer as shown.

9



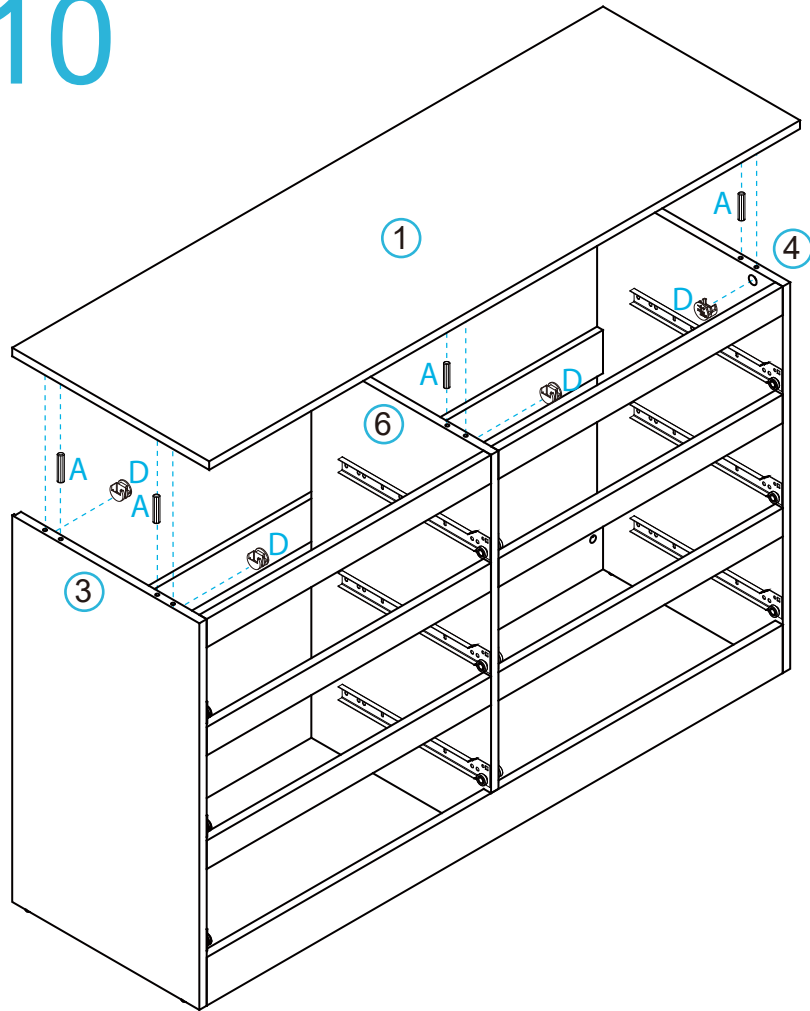
Insert 6x bolts (C) into panel [1]. Tighten with a screwdriver.

Jolt Six Drawer-Wide

Assembly Instructions

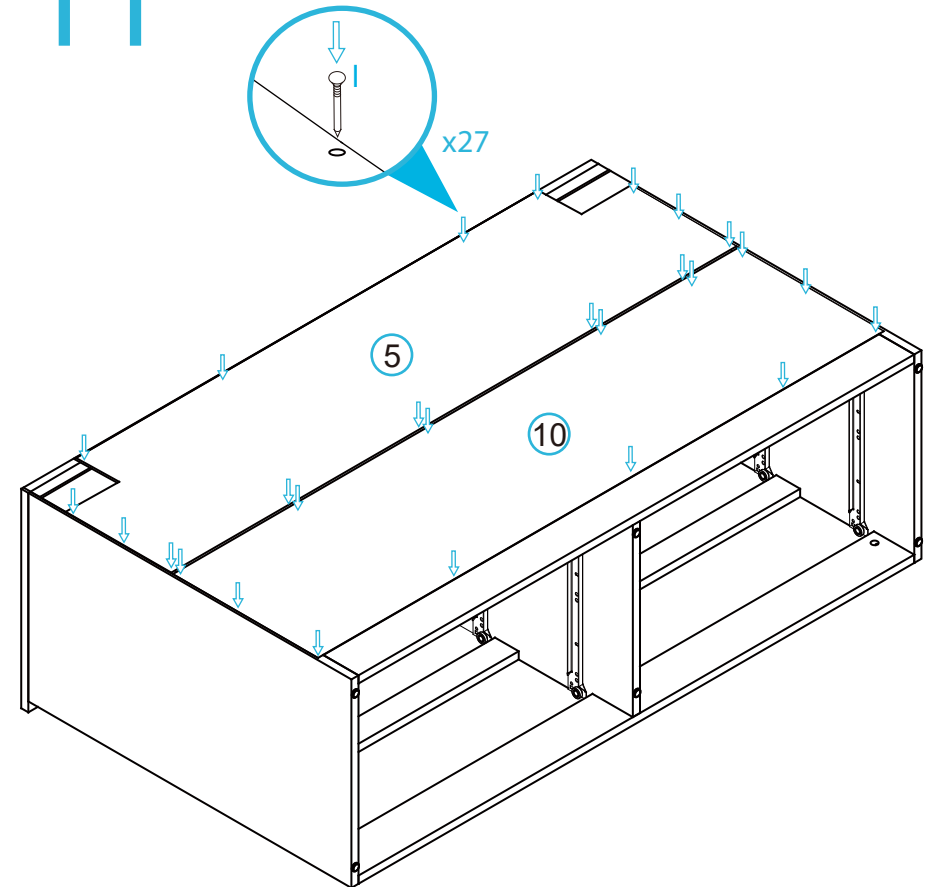
mocka

10



Attach panel [1] to panels [3], [4] and [6] with 6x dowels (A) and secure with 6x locking nuts (D). Tighten with a screwdriver.

11



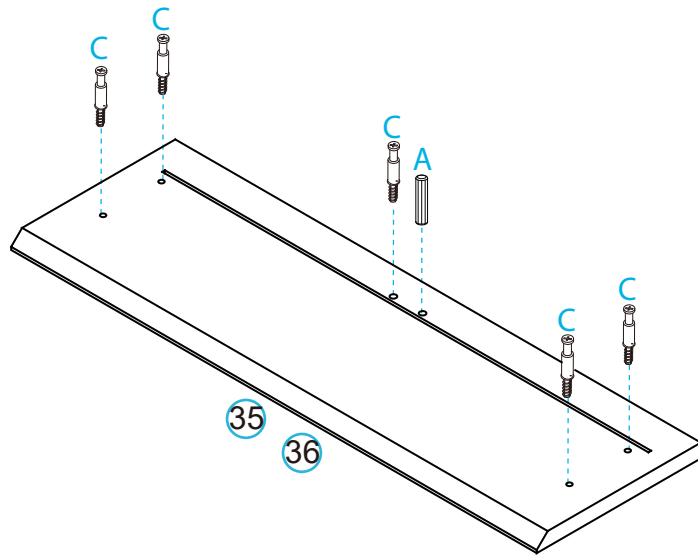
Attach both back panels [5] and [10] to the cabinet using 27x nails (l) and using a hammer.

Jolt Six Drawer-Wide

Assembly Instructions

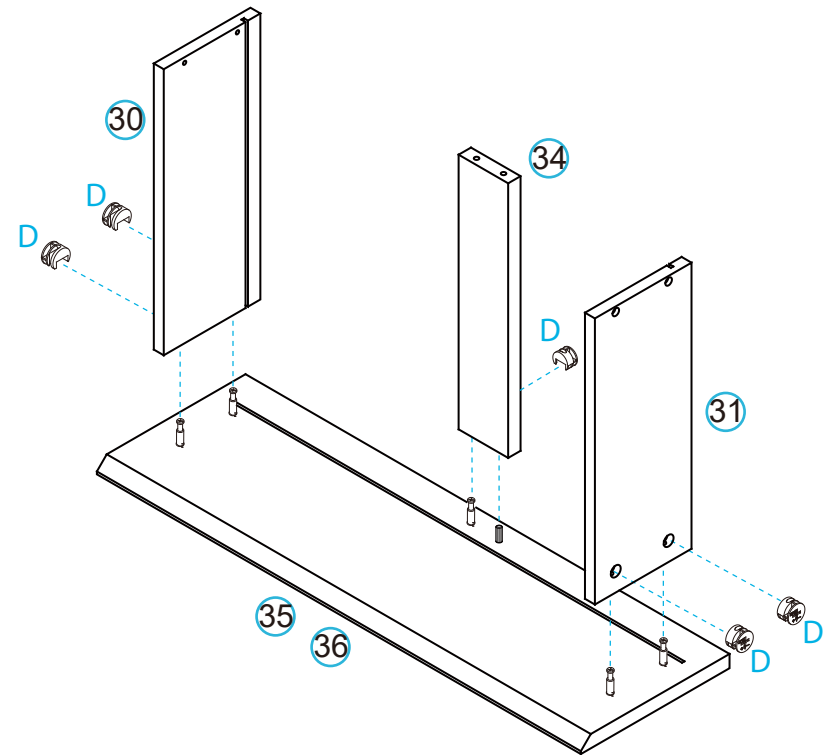
mocka

12 Drawer x6



Insert 5x bolts (C) and 1x dowel (A) into panels [35]/[36]. Tighten with a screwdriver.

13 Drawer x6



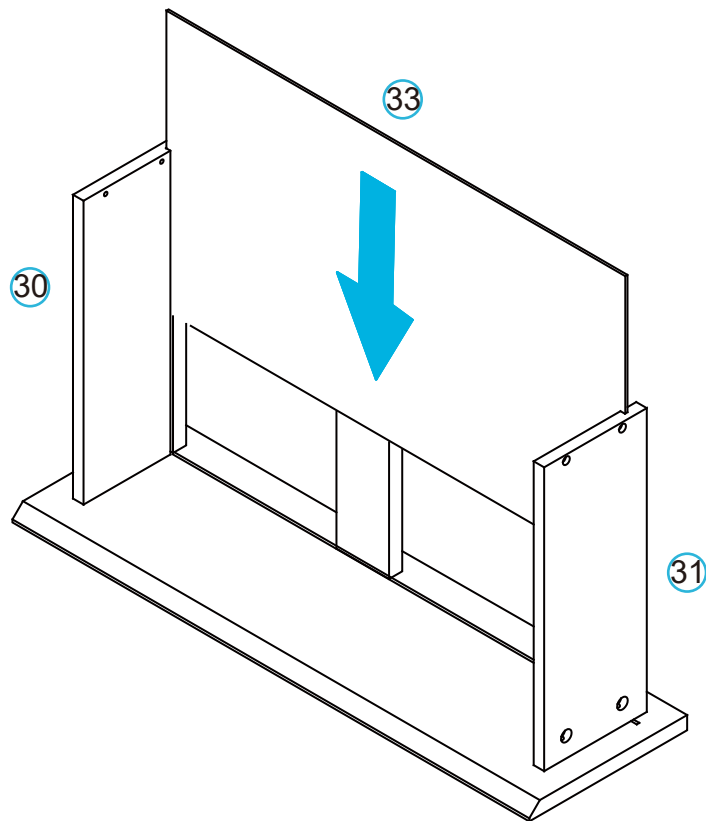
Attach panels [30], [31] and [34] to panels [35]/[36] secure with 5x locking nuts (D). Tighten with a screwdriver.

Jolt Six Drawer-Wide

Assembly Instructions

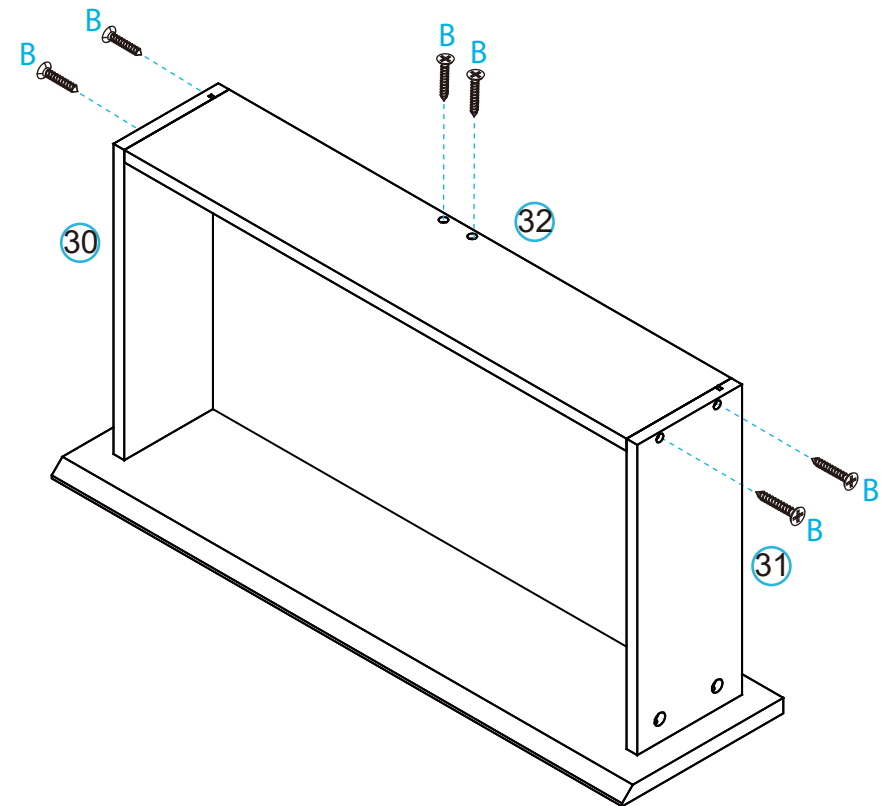
mocka

14 Drawer x6



Slide panel [33] down along the grooves between the panels [30] and [31] as shown.

15 Drawer x6



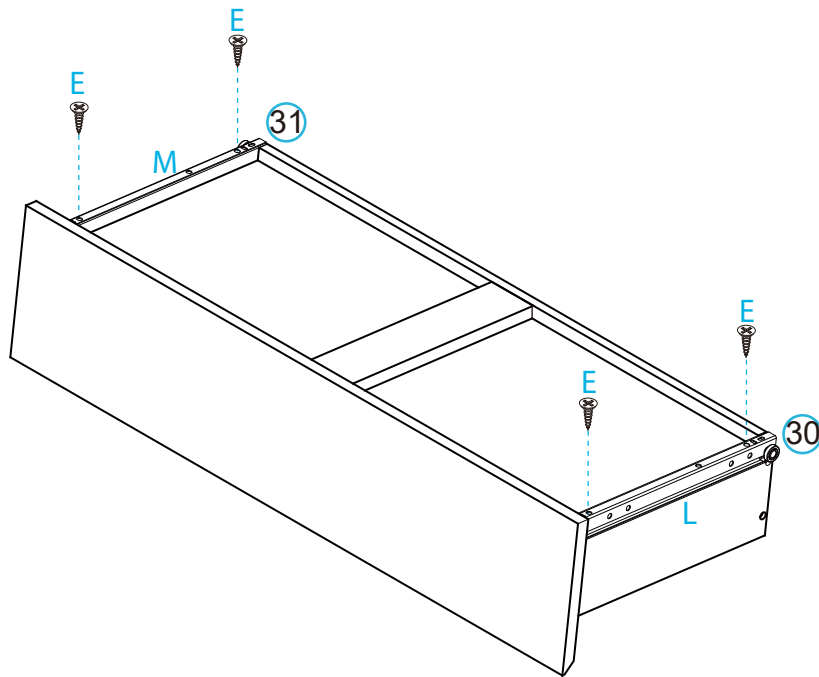
Attach panels [30] and [31] to panel [32] secure with 4x screws (B) and panel [32] to panel [34] secure with 2x screws (B). Tighten with a screwdriver.

Jolt Six Drawer-Wide

Assembly Instructions

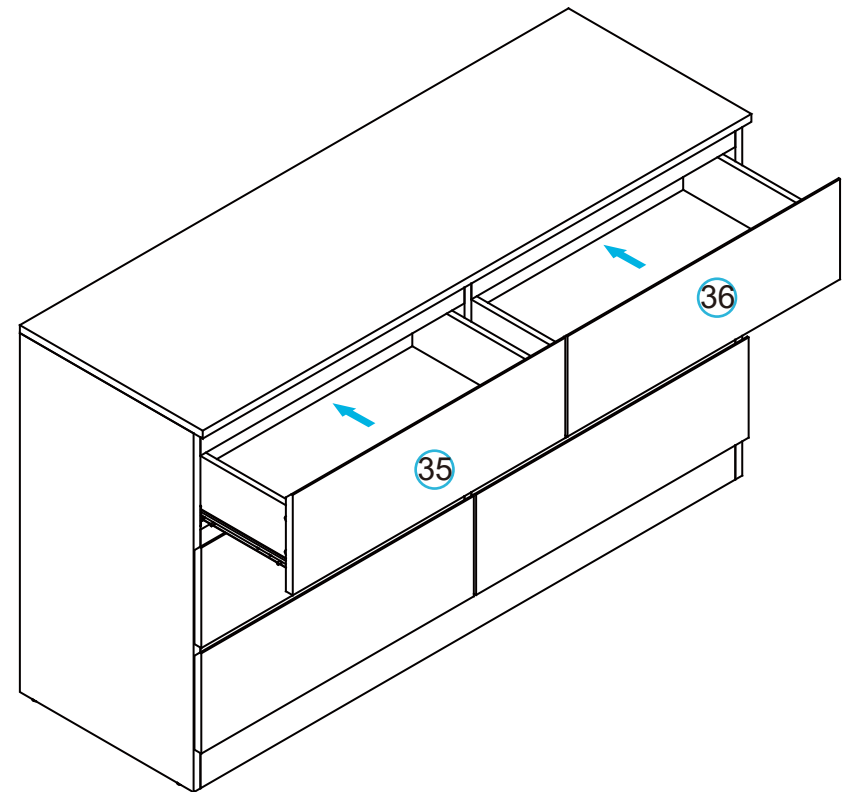
mocka

16 Drawer x6



Attach slide rails (L) and slide rails (M) to the underside of the side panels as shown. Secure with 4x screws (E) and tighten with a screwdriver.

17



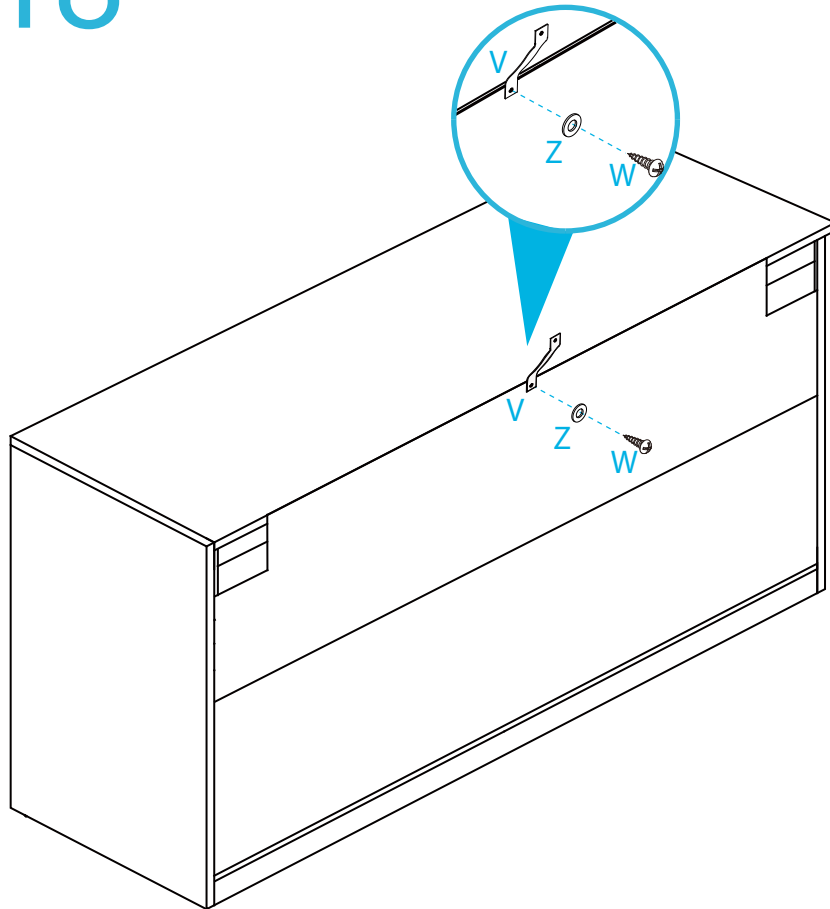
Insert the assembled drawers into the corresponding compartments as shown. Ensure the drawers slide easily along the rails.

Jolt Six Drawer-Wide

Assembly Instructions

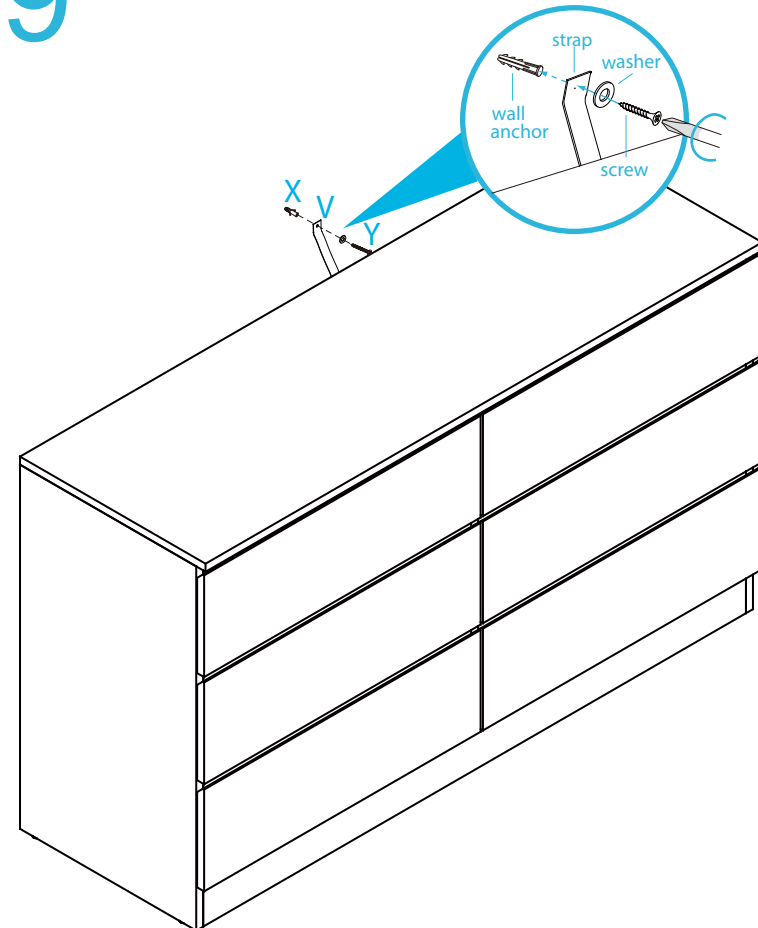
mocka

18



Attach 1x safety strap (V) to the top of the back side of the unit as shown using 1x washer (Z) and 1x screw (W). Tighten with a screwdriver.

19



Once assembled lift furniture into place, do not drag. Use a drill to create a small hole lining up with the top of the safety strap (V). Fasten to the wall using 1x washer (Z), 1x wall anchor (X) and 1x wall screw (Y). Ensure unit is balanced and steady before use. You're done, enjoy!